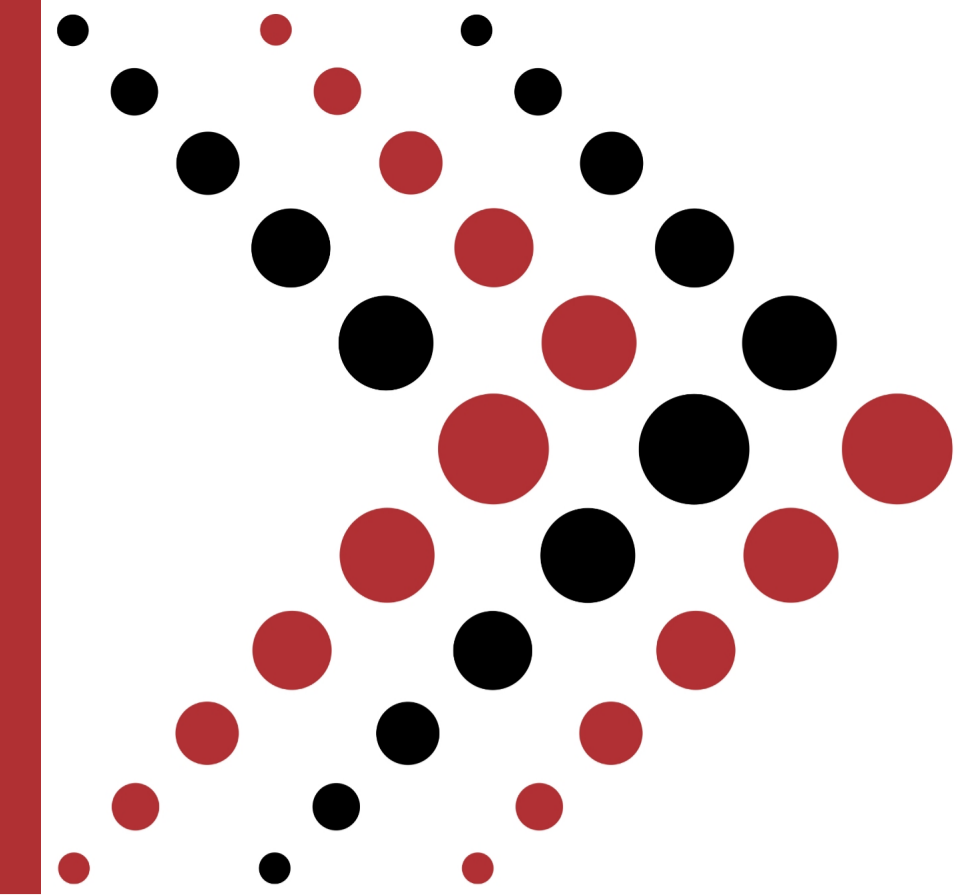


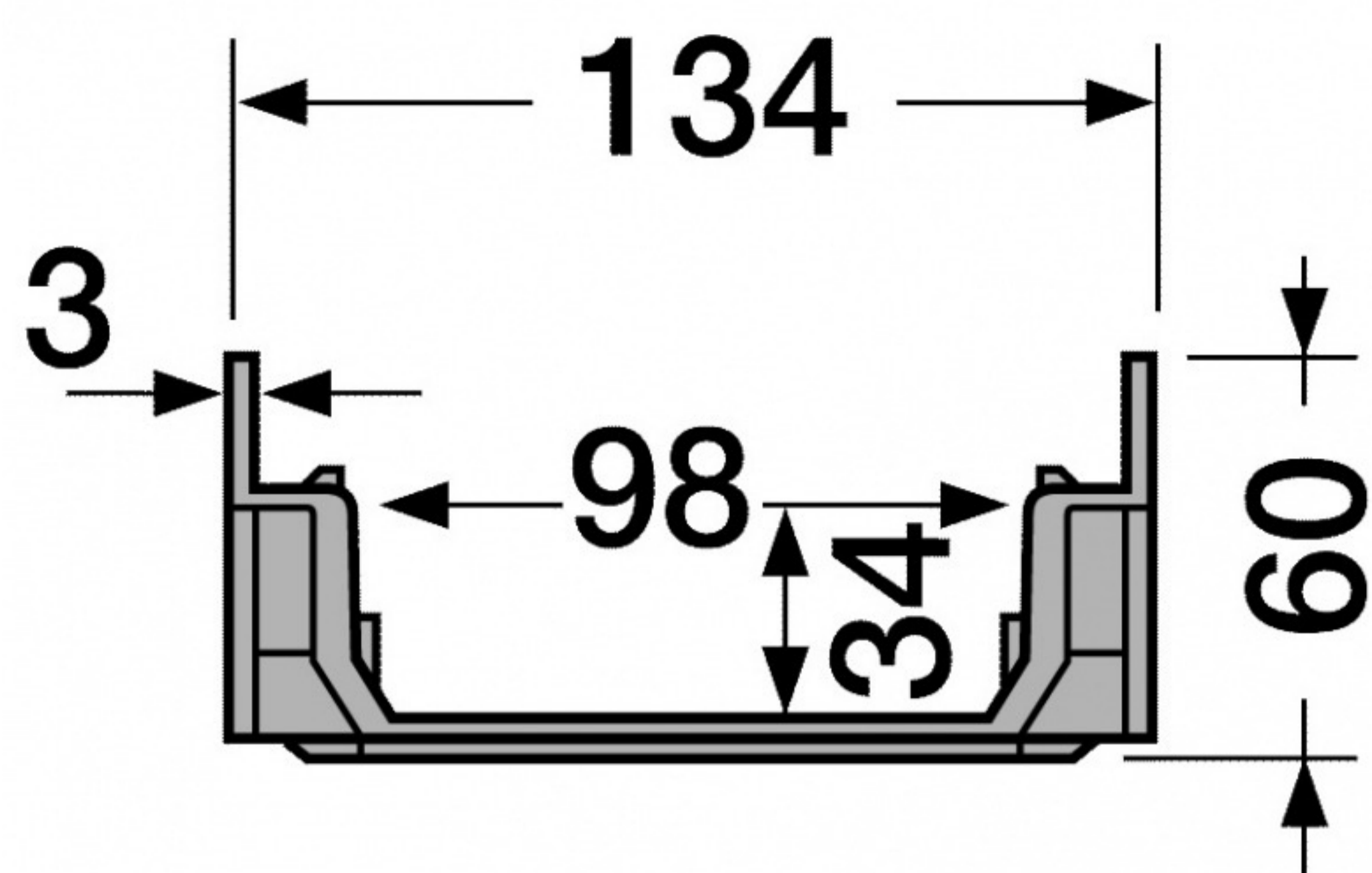
TECNOMEDEX - DATA SHEET



Channel Drain with Ductile Iron Grate (Slotted)

L 500 * W 134 * H 60 mm

Code: CG-0076



Outlet Ø 85

End Cap

Description

- This product is designed to drain run-off or surface water into a nearby sewage system
- Capable of cross connection (90°)
- Lateral or vertical outlets Ø 75, Ø 85, and Ø 110 with end caps at both ends of channel
- Low channel height makes ideal for pouring concrete in places with low clearance
- End caps at both ends of channel
- This product is certified in accordance with EN1433 standard and holds CE certification

Application

- Parking and ramps of residential complex and mall
- City street
- Gas station and fire station
- Industrial warehouse
- Indoor and outdoor places with high vehicle traffic



Material

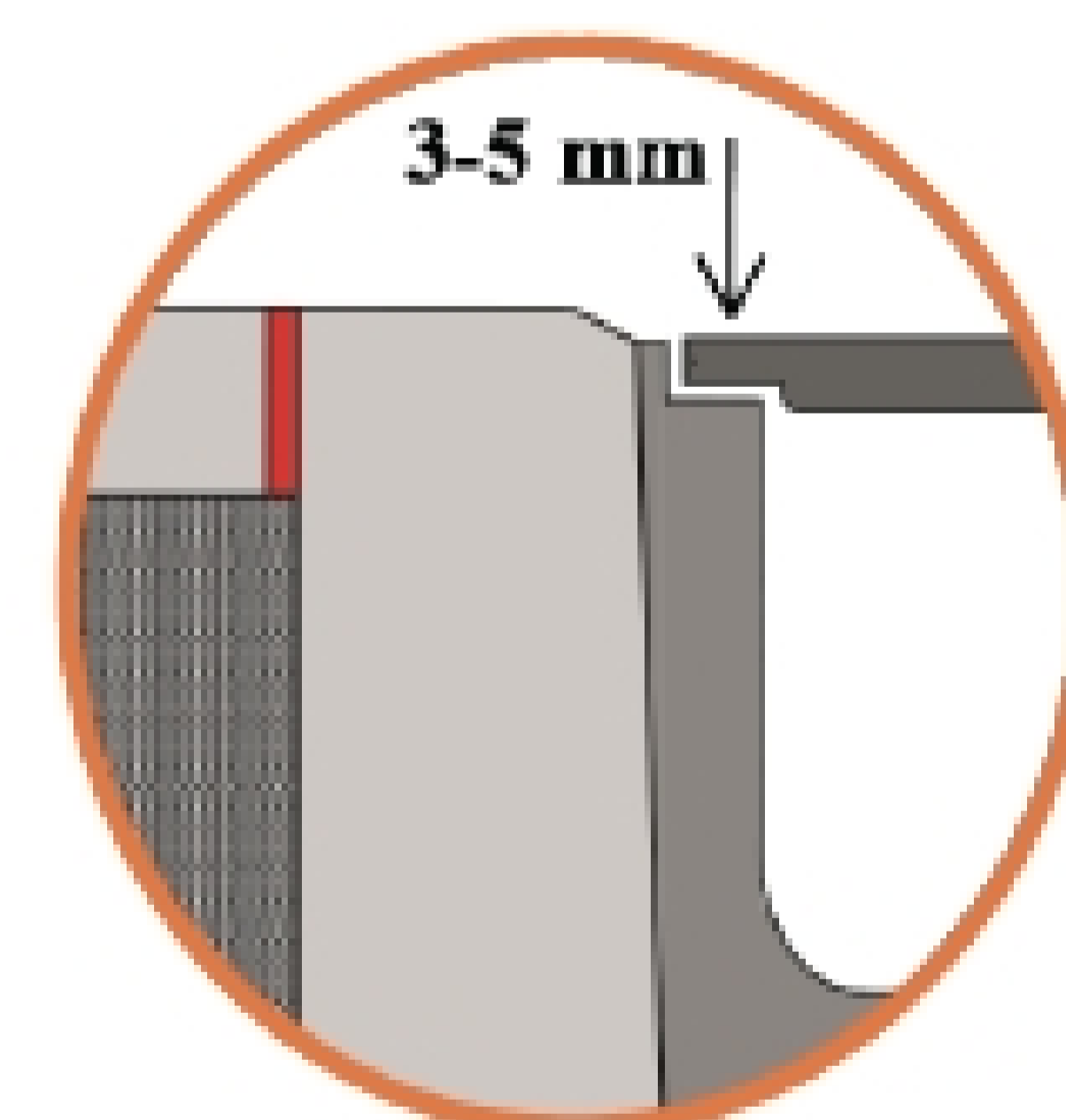
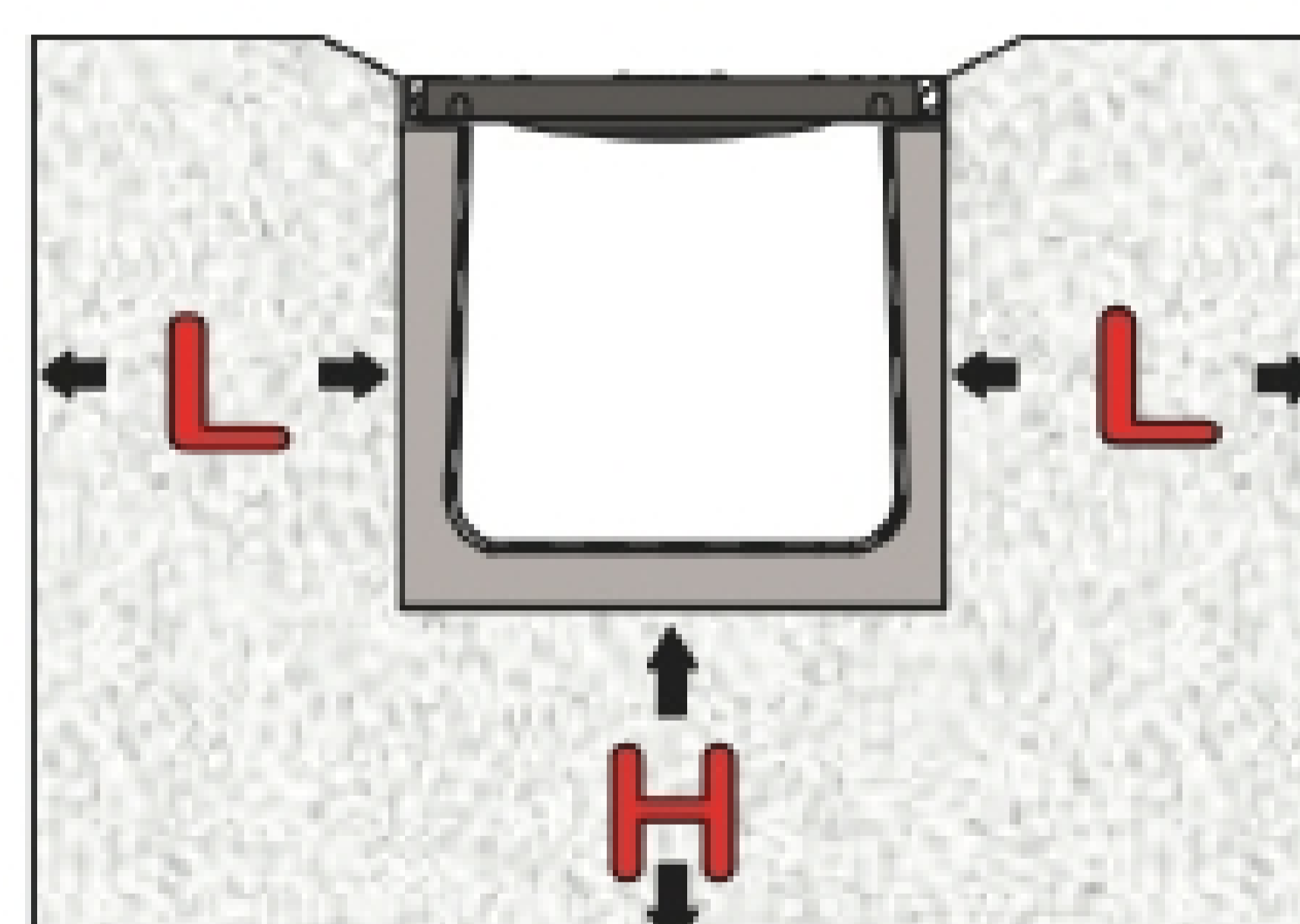
- Injected Polypropylene (P.P.) and Polycarbonate channel in black color (L 500 * W 134 * H 60 mm)
- Ductile iron grate (slotted) (L 500 * W 130 * H 20 mm)

Technical Details

- Load class: C250
- Color: black
- Grate length is 0.5 m
- Grate type: cast iron (slotted)

Installation

See table below



Dimensions							
Load Class		Class A	Class B	Class C	Class D	Class E	Class F
Concrete Bed Size	H	100 mm	100 mm	150 mm	150 mm	200 mm	200 mm
Concrete Lateral Backfill Size	L	100 mm	100 mm	150 mm	150 mm	200 mm	200 mm