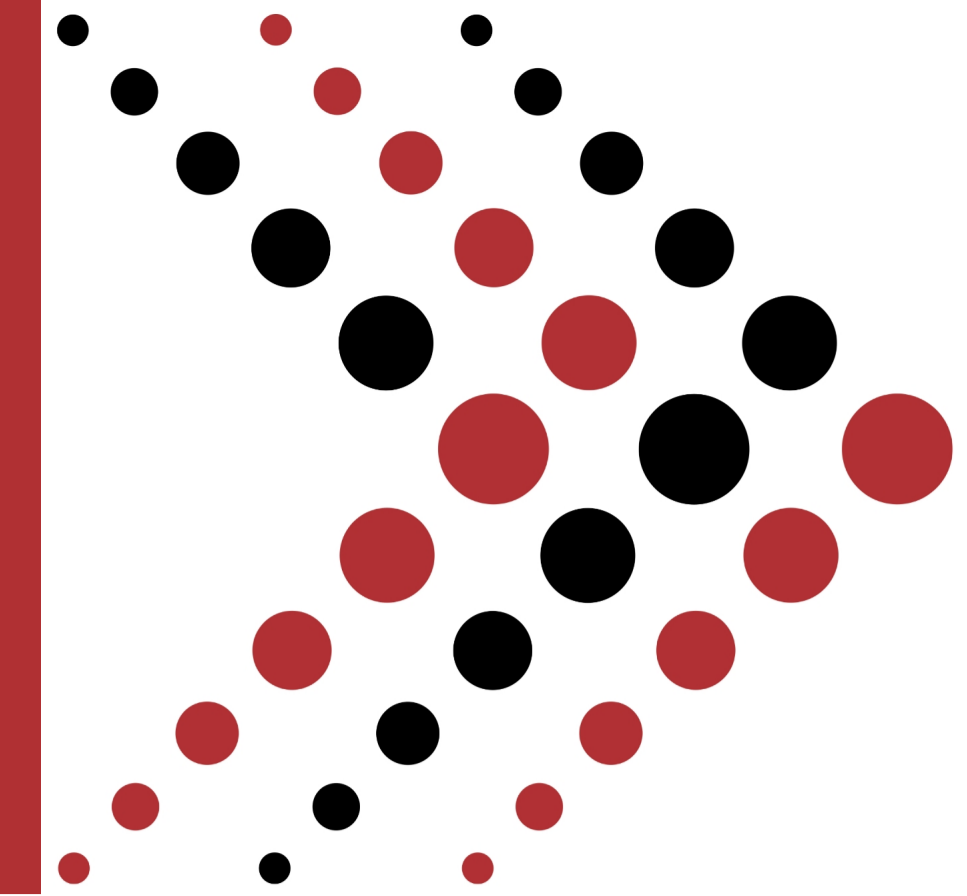


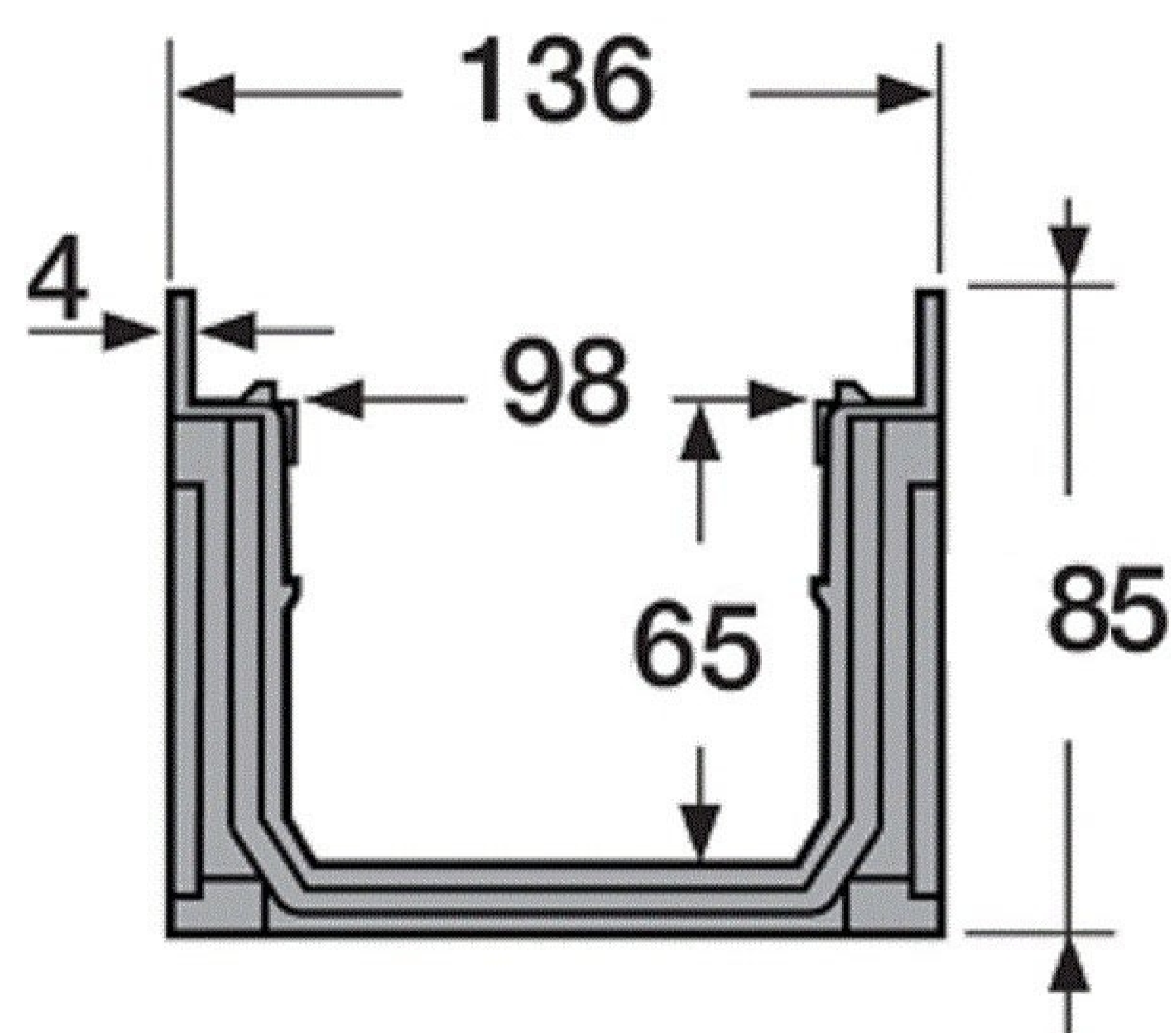
# TECNOMEDEX - DATA SHEET



Channel Drain with Stainless Steel Grate (Slotted)

L 1000 \* W 136 \* H 85 mm

Code: CG-0086



Outlet Ø 85

End Cap

## Description

- This product is designed to drain run-off or surface water into a nearby sewage system
- Capable of cross connection (90° angle)
- Lateral or vertical outlets Ø 75, Ø 85, and Ø 110 with end caps at both ends of channel
- This product is certified in accordance with EN1433 standard and holds CE certification

## Application

- Pedestrian zone, bicycle, and motorcycle commute areas
- Flat roofs, terraces, and balconies
- Markets and school yards
- Industrial kitchens and storage areas
- Public showers and bathrooms



## Material

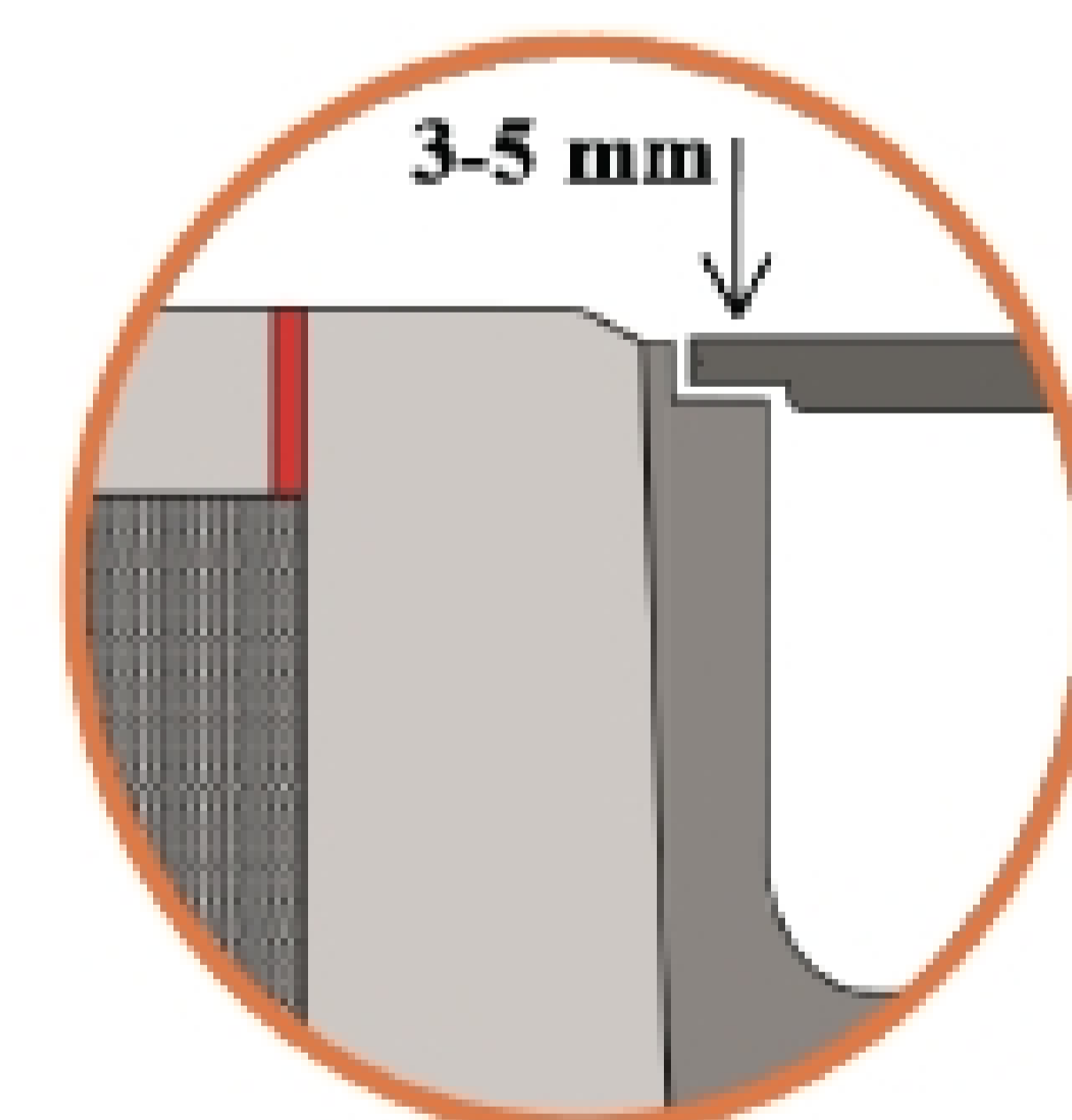
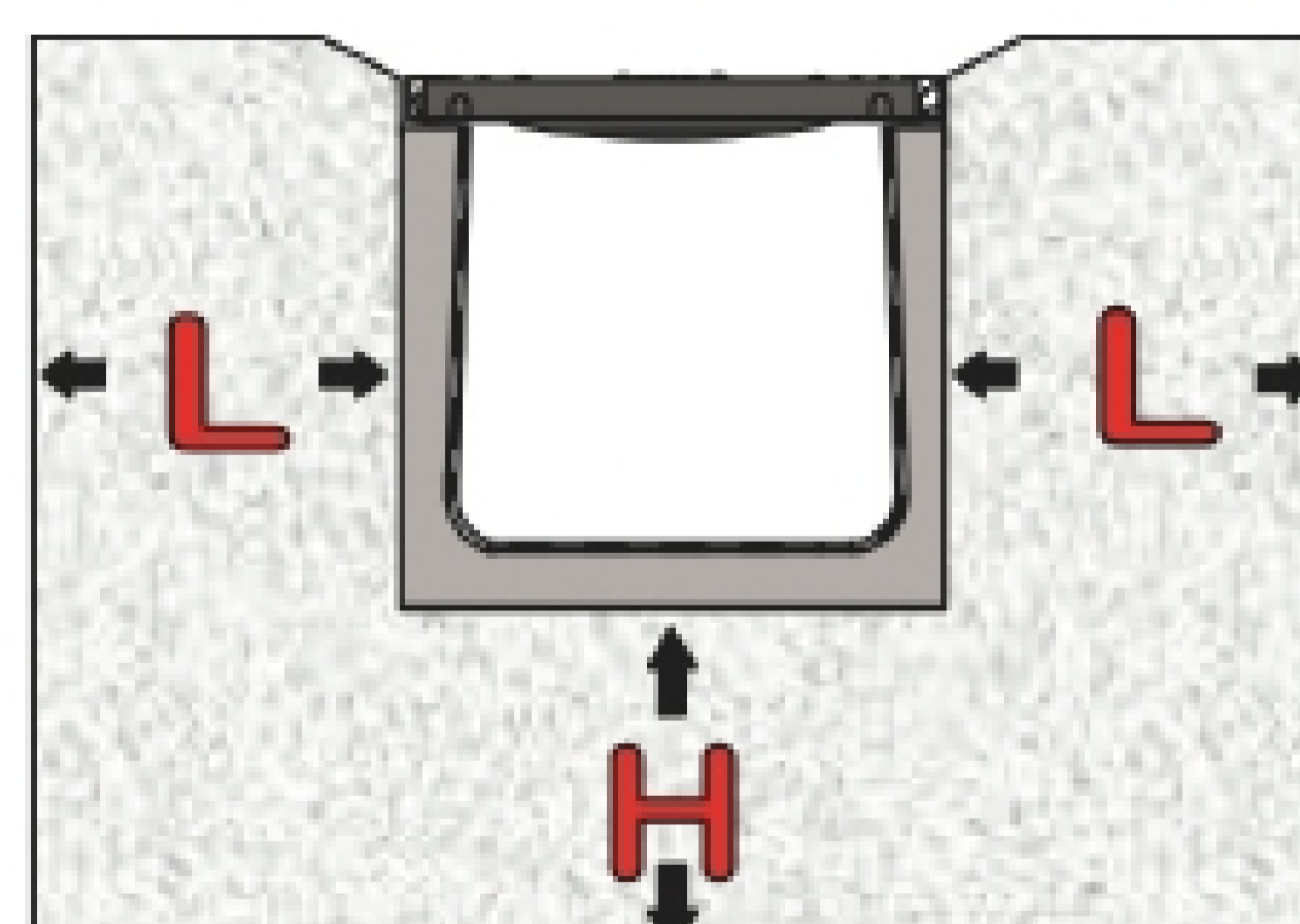
- Injected Polypropylene (P.P.) and Polycarbonate channel in black color (L 500 \* W 136 \* H 85 mm)
- Stainless steel grate (slotted) (L 1000 \* W 130 \* H 20 mm)

## Technical Details

- Load class: A15
- Color: black
- Grate length is 1 m
- Grate type: stainless steel (slotted)

## Installation

See table below



| Dimensions                     |   |         |         |         |         |         |         |
|--------------------------------|---|---------|---------|---------|---------|---------|---------|
| Load Class                     |   | Class A | Class B | Class C | Class D | Class E | Class F |
| Concrete Bed Size              | H | 100 mm  | 100 mm  | 150 mm  | 150 mm  | 200 mm  | 200 mm  |
| Concrete Lateral Backfill Size | L | 100 mm  | 100 mm  | 150 mm  | 150 mm  | 200 mm  | 200 mm  |