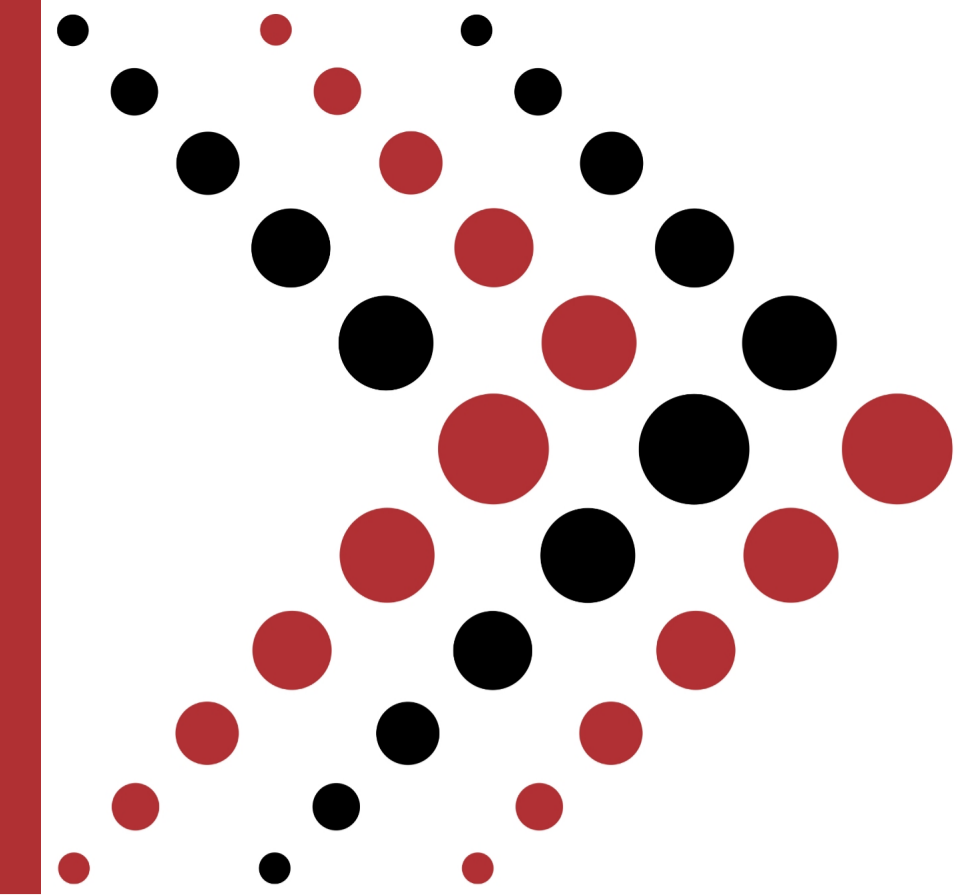
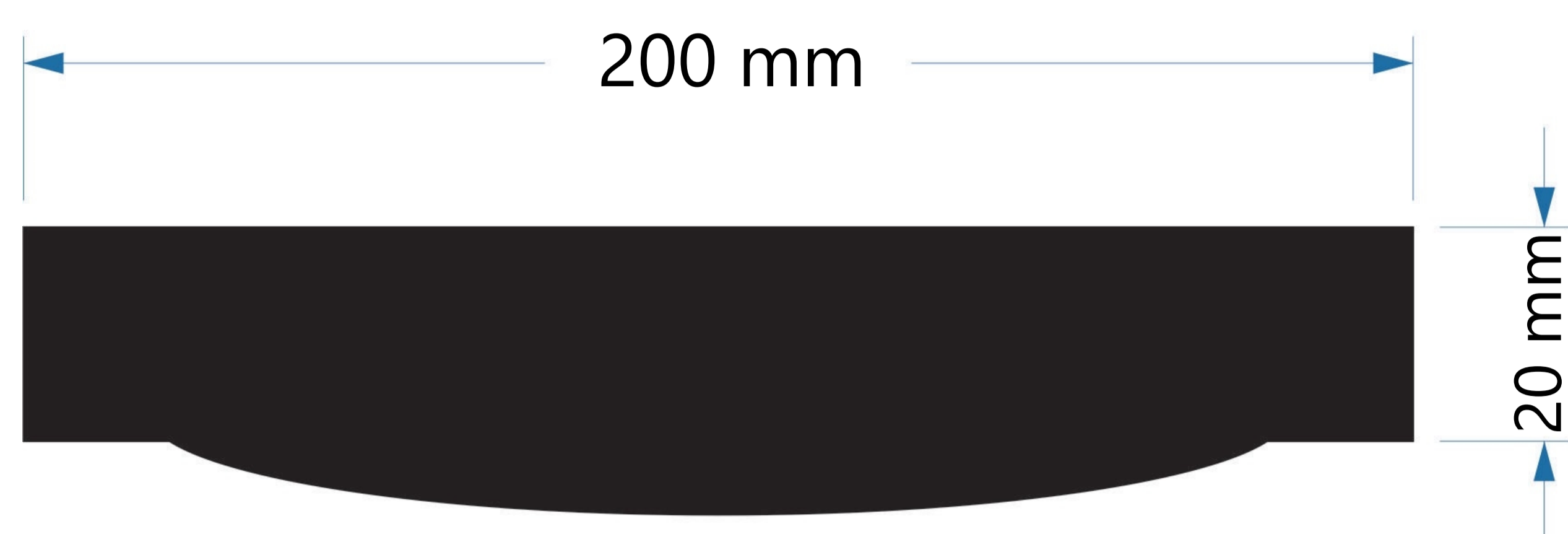


TECNOMEDEX - DATA SHEET



Ductile Iron Grate (Grid)
L 500 * W 200 * H 20 mm
Code: G-0017



Description

- This product is assembled on pre-fabricated channels or concrete trench platforms
- This product is certified in accordance with EN1433 standard and holds CE certification

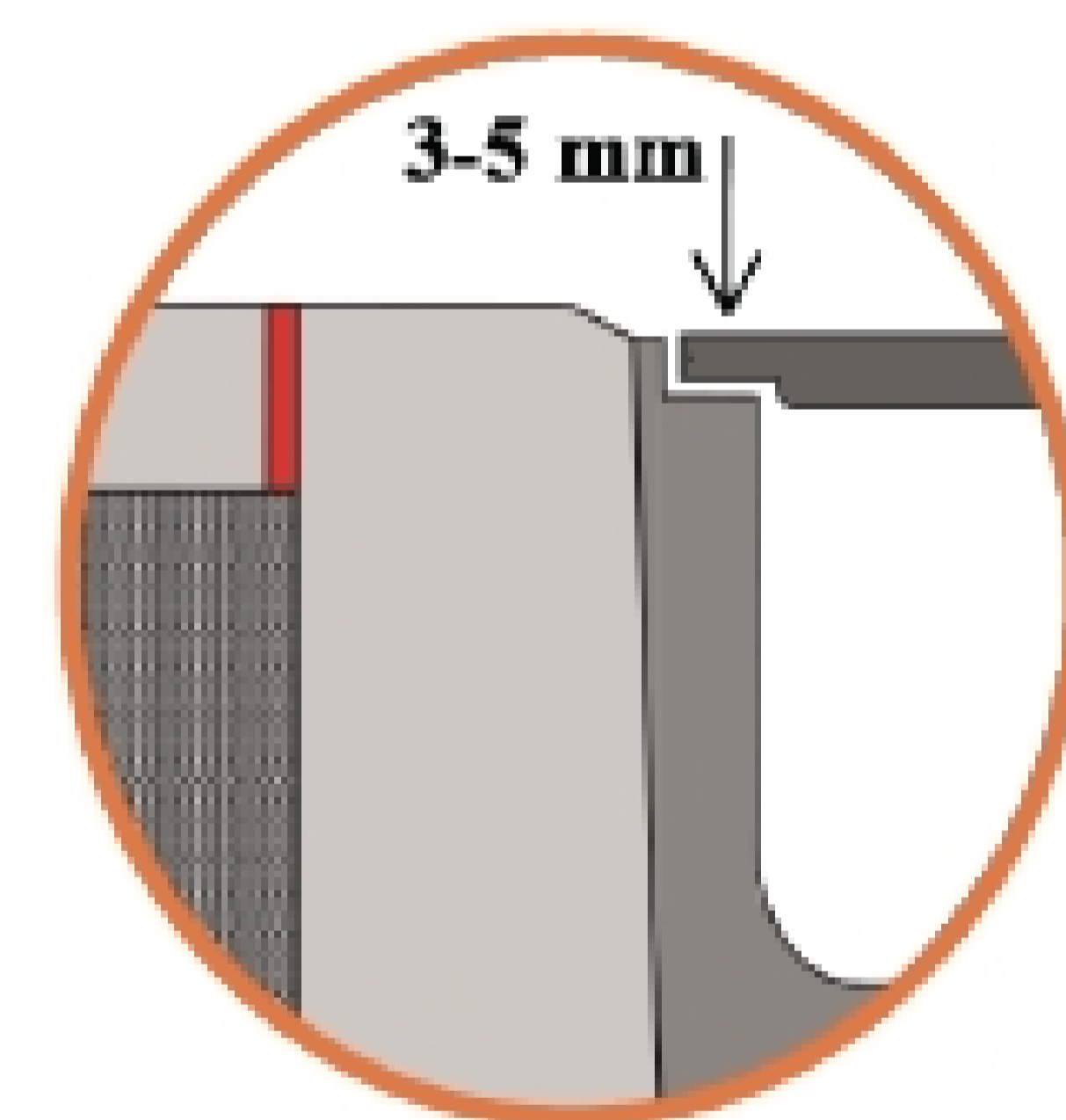
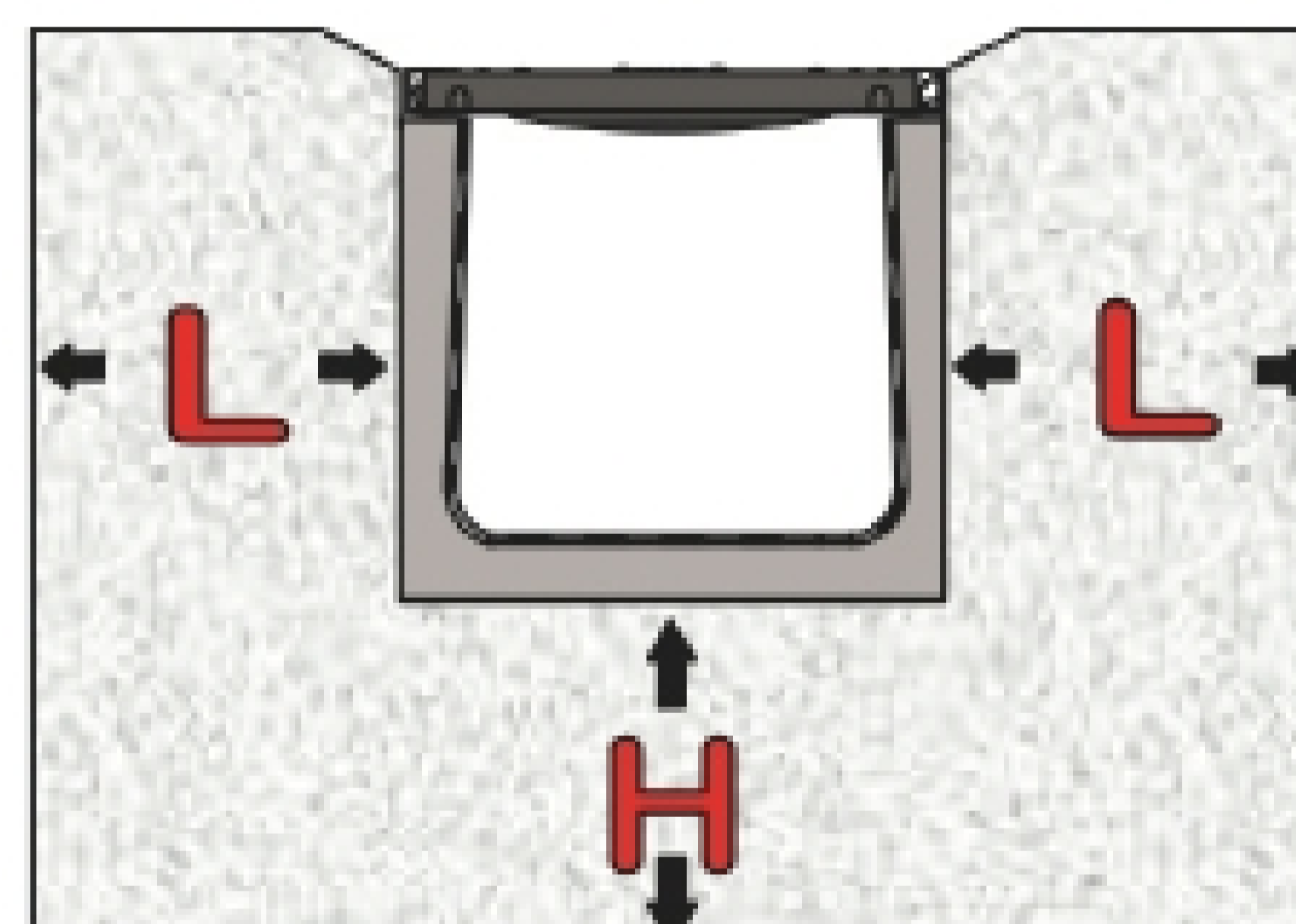
Application

- Parking and ramp of residential complex and mall
- City street
- Gas station and fire station
- Industrial warehouse
- Indoor and outdoor places with high vehicle traffic



Technical Details

- Load class: C250
- Color: black
- Grate length is 0.5 m
- Grate type: Ductile iron (grid)



Installation

See table below

Dimensions							
Load Class		Class A	Class B	Class C	Class D	Class E	Class F
Concrete Bed Size	H	100 mm	100 mm	150 mm	150 mm	200 mm	200 mm
Concrete Lateral Backfill Size	L	100 mm	100 mm	150 mm	150 mm	200 mm	200 mm