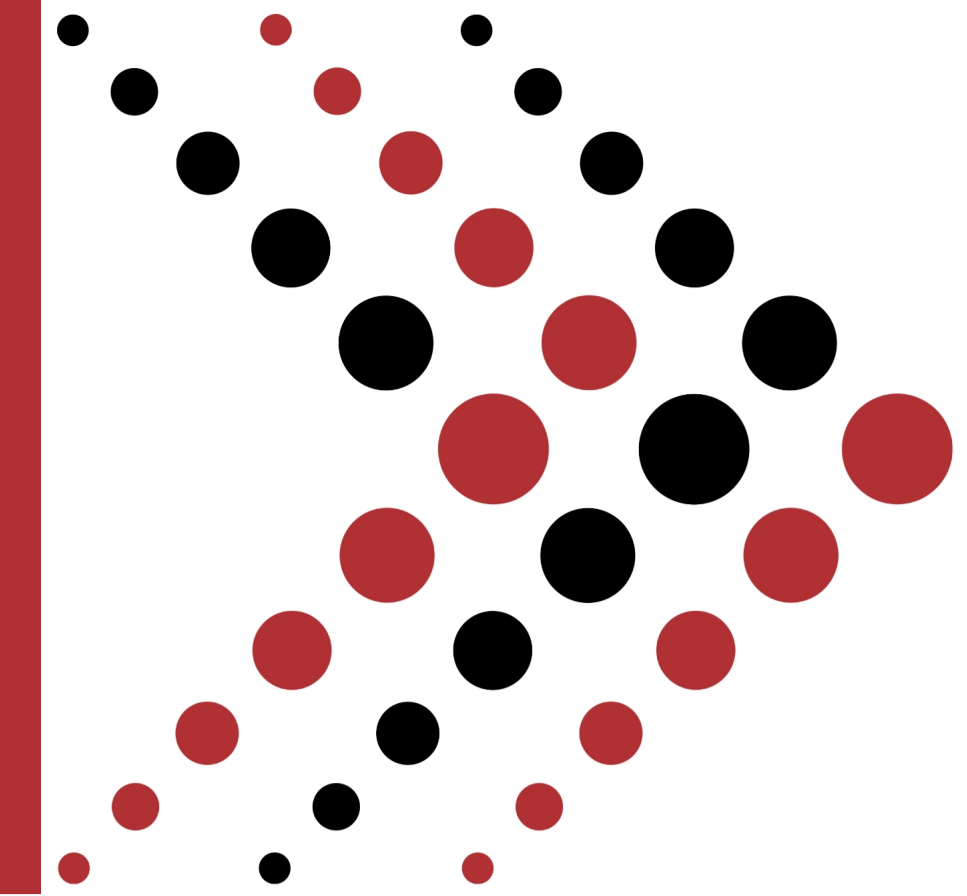
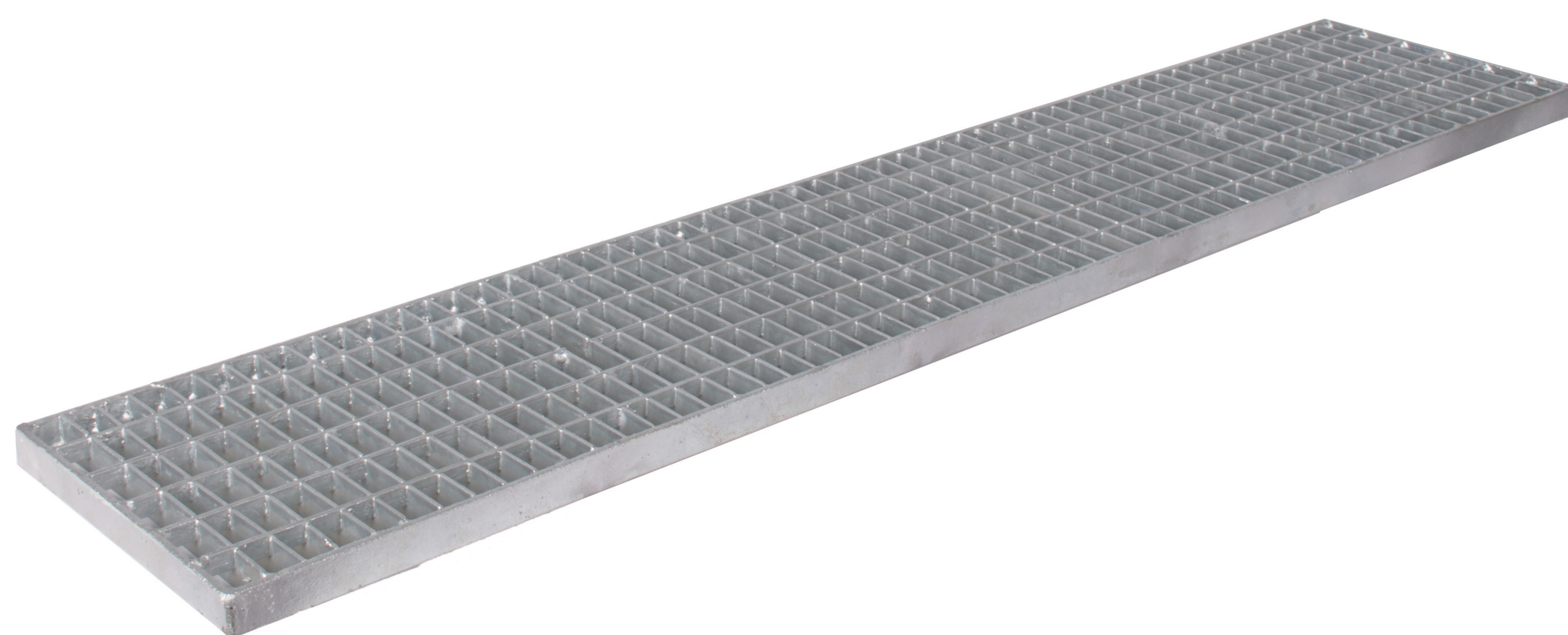


# TECNOMEDEX - DATA SHEET



Galvanized Grate (Grid)  
L 1000 \* W 200 \* H 20 mm  
Code: G-0023



## Description

- This product is assembled on pre-fabricated channels or concrete trench platforms
- This product is certified in accordance with EN1433 standard and holds CE certification

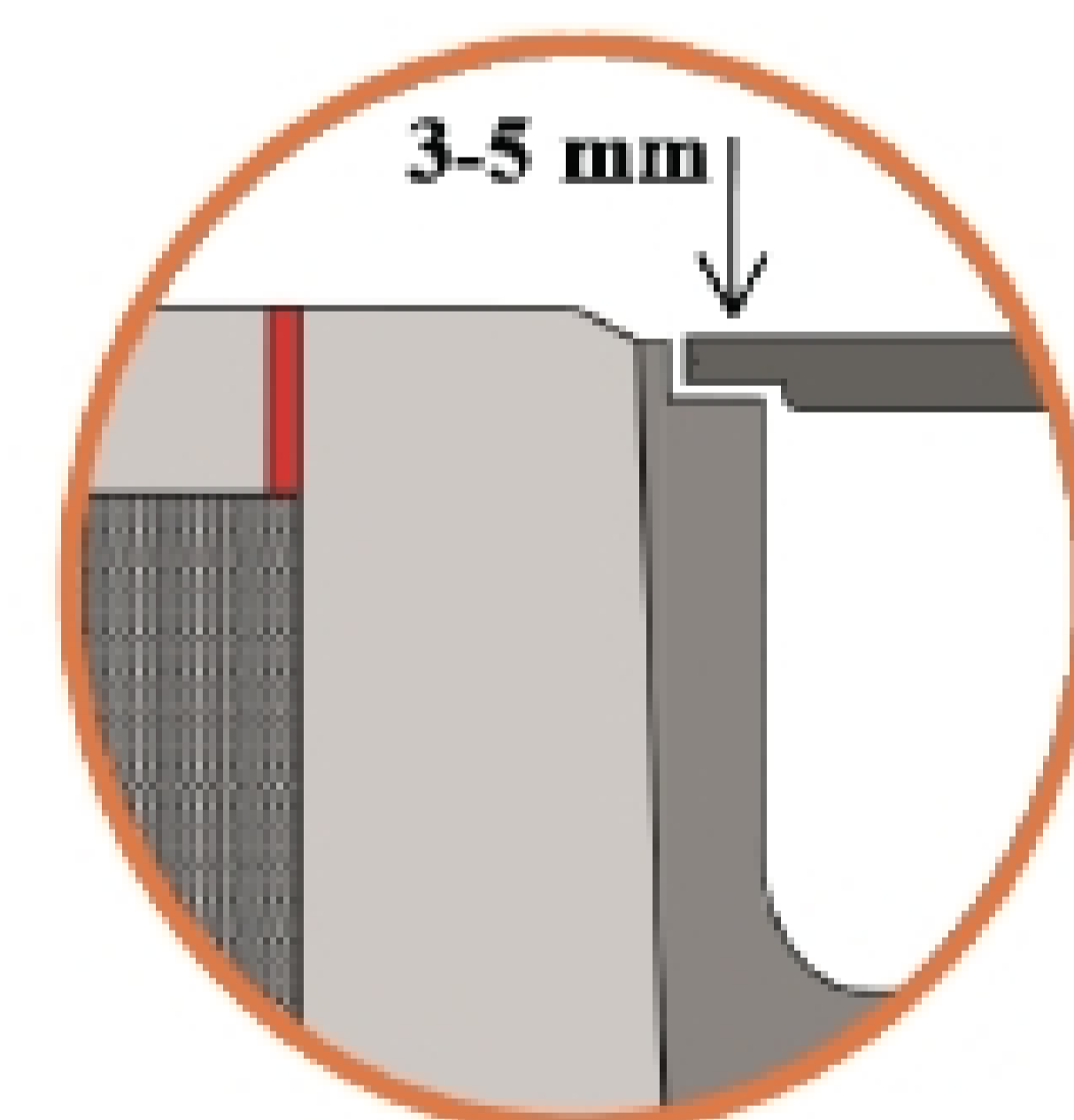
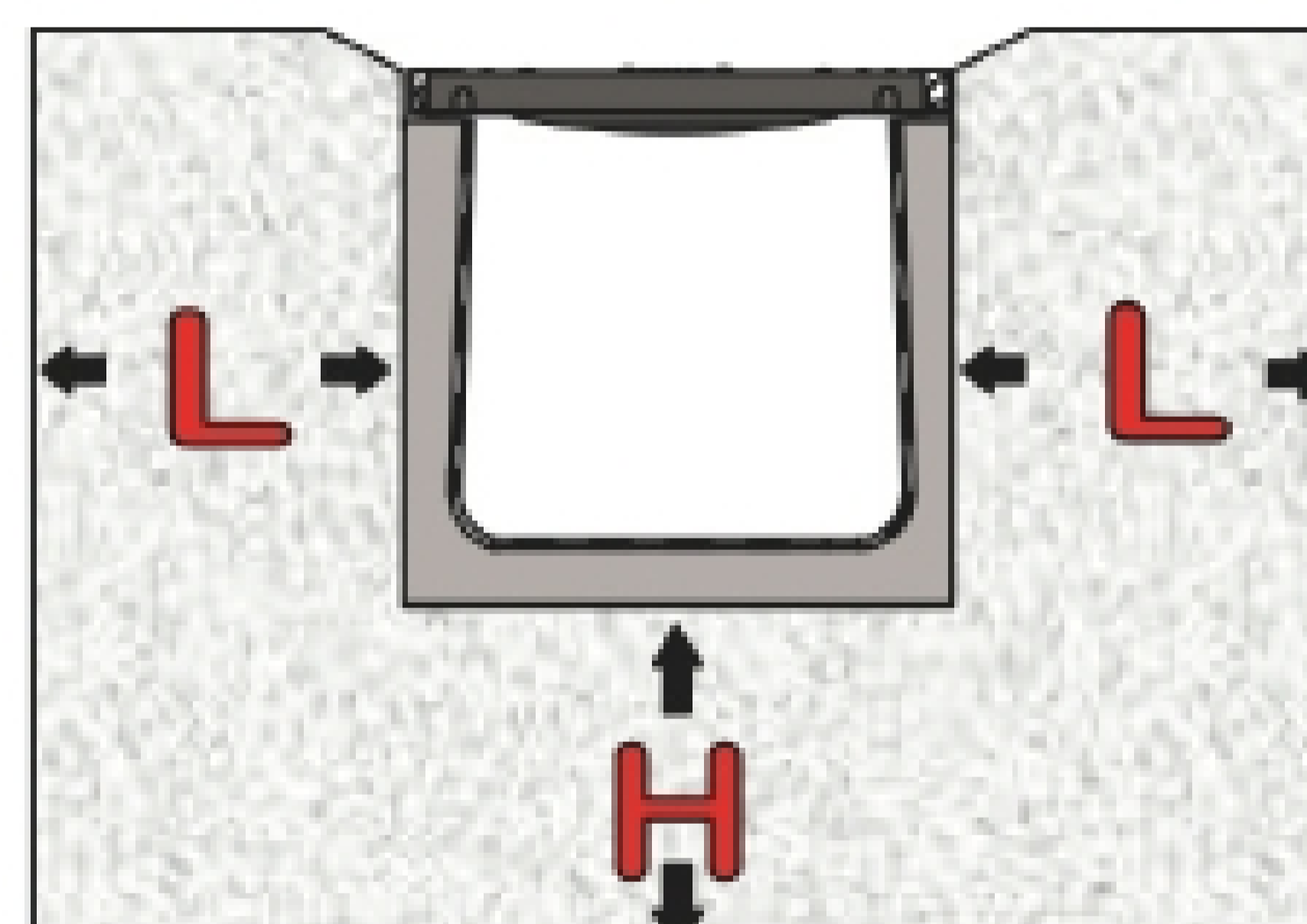
## Application

- Parking and ramp of residential complex and mall
- City street
- Gas station and fire station
- Industrial warehouse
- Indoor and outdoor places with high vehicle traffic



## Technical Details

- Load class: C250
- Color: gray
- Grate length is 1 m
- Grate type: galvanized (grid)



## Installation

See table below

Dimensions							
Load Class		Class A	Class B	Class C	Class D	Class E	Class F
Concrete Bed Size	H	100 mm	100 mm	150 mm	150 mm	200 mm	200 mm
Concrete Lateral Backfill Size	L	100 mm	100 mm	150 mm	150 mm	200 mm	200 mm