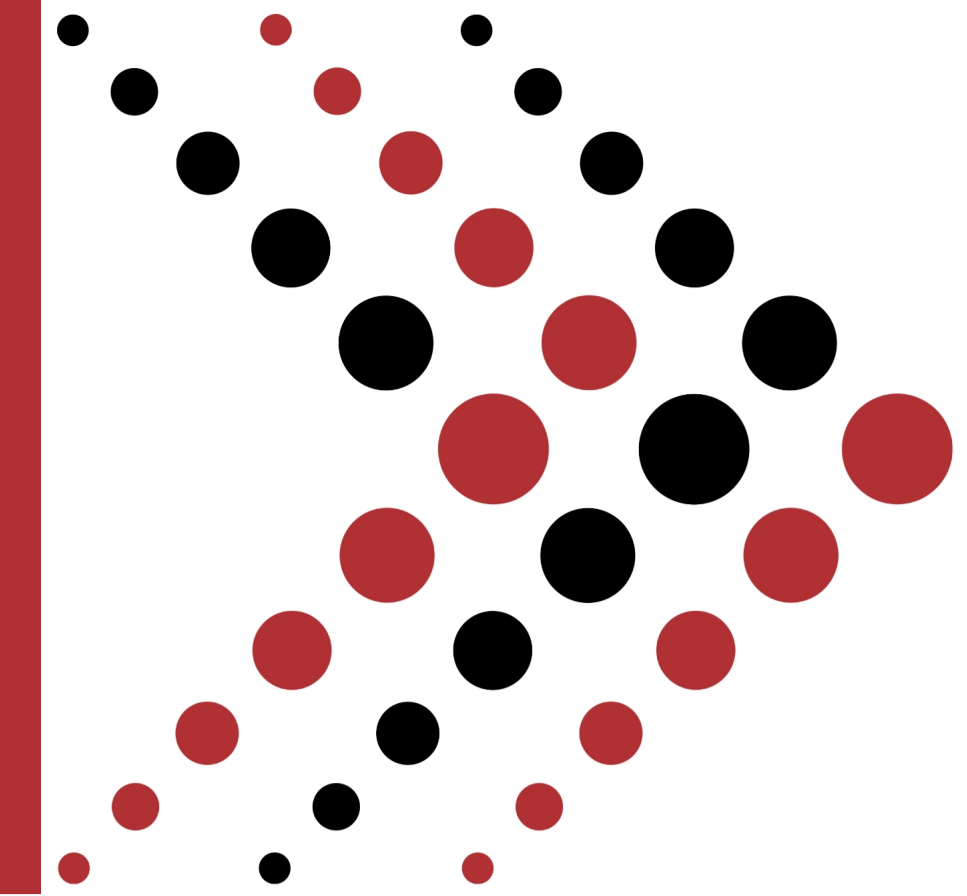


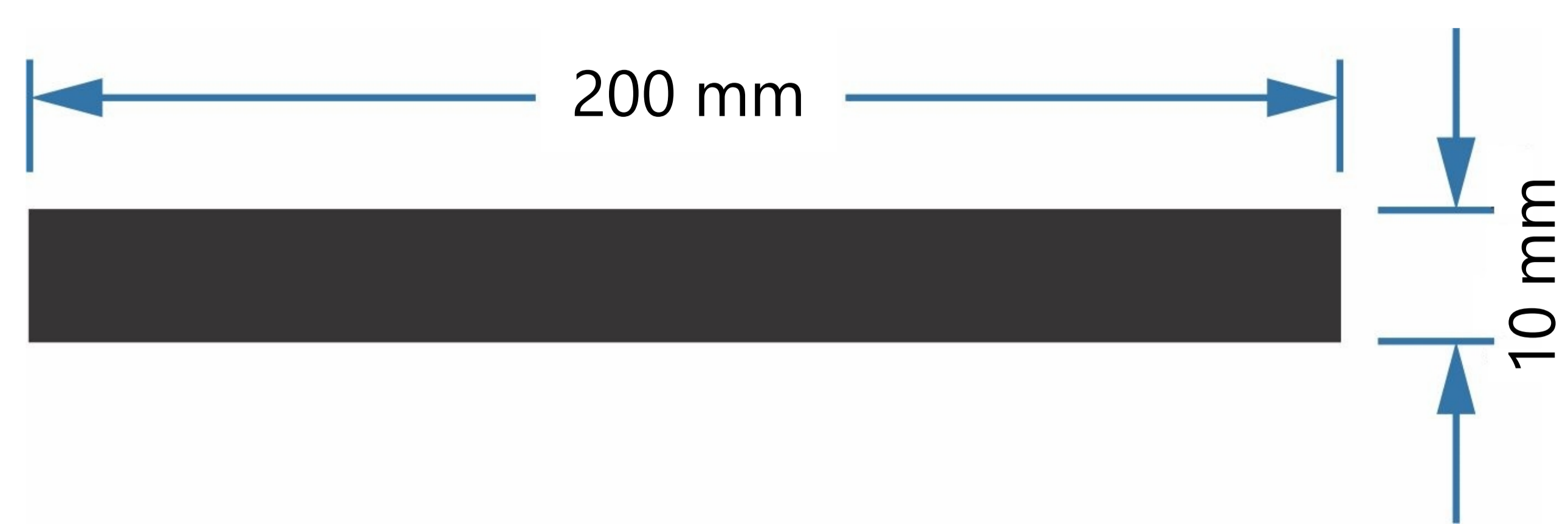
# TECNOMEDEX - DATA SHEET



Stainless Steel Grate (Abadis - Slotted)

L 1000 \* W 200 \* H 10 mm

Code: G-0049



## Description

- This product is assembled on pre-fabricated channels or concrete trench platforms
- This product is certified in accordance with EN1433 standard and holds CE certification

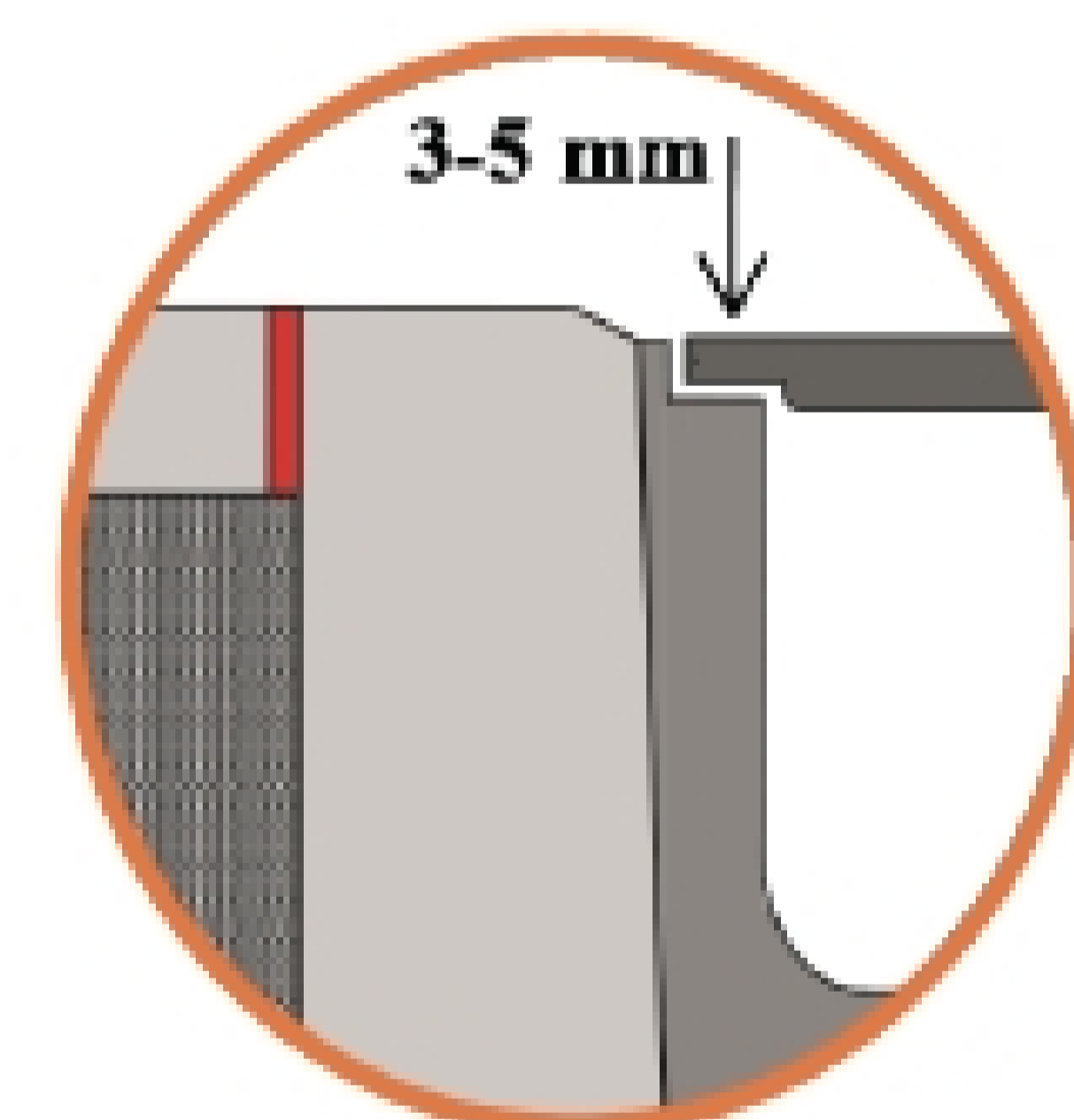
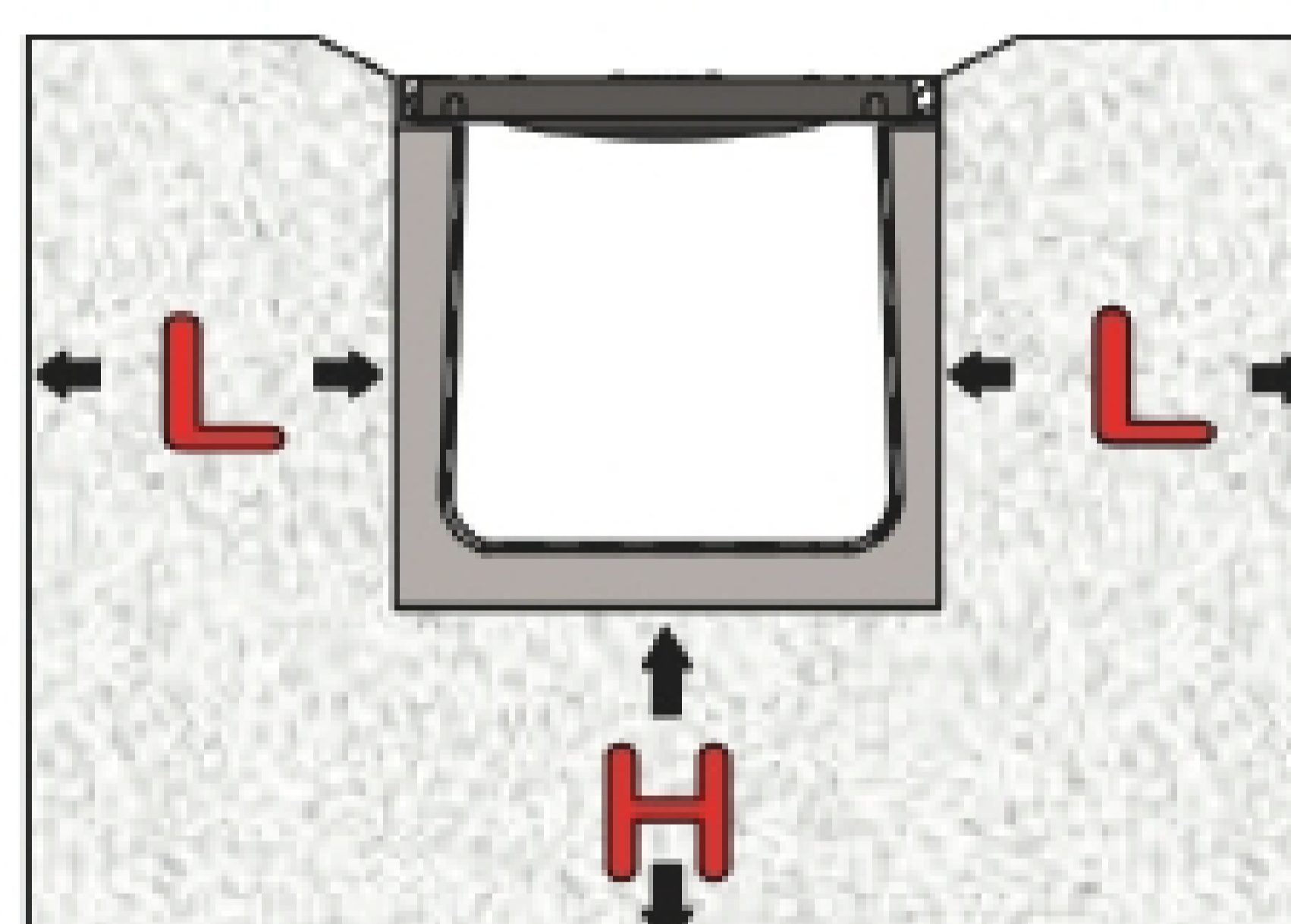
## Application

- Pedestrian zone, bicycle, and motorcycle commute areas
- Flat roofs, terraces, and balconies
- Markets and school yards
- Industrial kitchens and storage areas
- Public showers and bathrooms



## Technical Details

- Load class: A15
- Color: gray
- Grate length is 1 m
- Grate type: stainless steel (Abadis - slotted)



## Installation

See table below

| Dimensions                     |   |         |         |         |         |         |         |
|--------------------------------|---|---------|---------|---------|---------|---------|---------|
| Load Class                     |   | Class A | Class B | Class C | Class D | Class E | Class F |
| Concrete Bed Size              | H | 100 mm  | 100 mm  | 150 mm  | 150 mm  | 200 mm  | 200 mm  |
| Concrete Lateral Backfill Size | L | 100 mm  | 100 mm  | 150 mm  | 150 mm  | 200 mm  | 200 mm  |