

TECNOMEDEX - DATA SHEET



Plastic Grate (Korpi - Slotted)

L 500 * W 130 * H 20 mm

Code: G-0310



Description

- This product is assembled on pre-fabricated channels or concrete trench platforms
- This product is certified in accordance with EN1433 standard and holds CE certification

Application

- Parking and ramp of residential complex and mall
- City street
- Gas station and fire station
- Industrial warehouse
- Indoor and outdoor places with high vehicle traffic

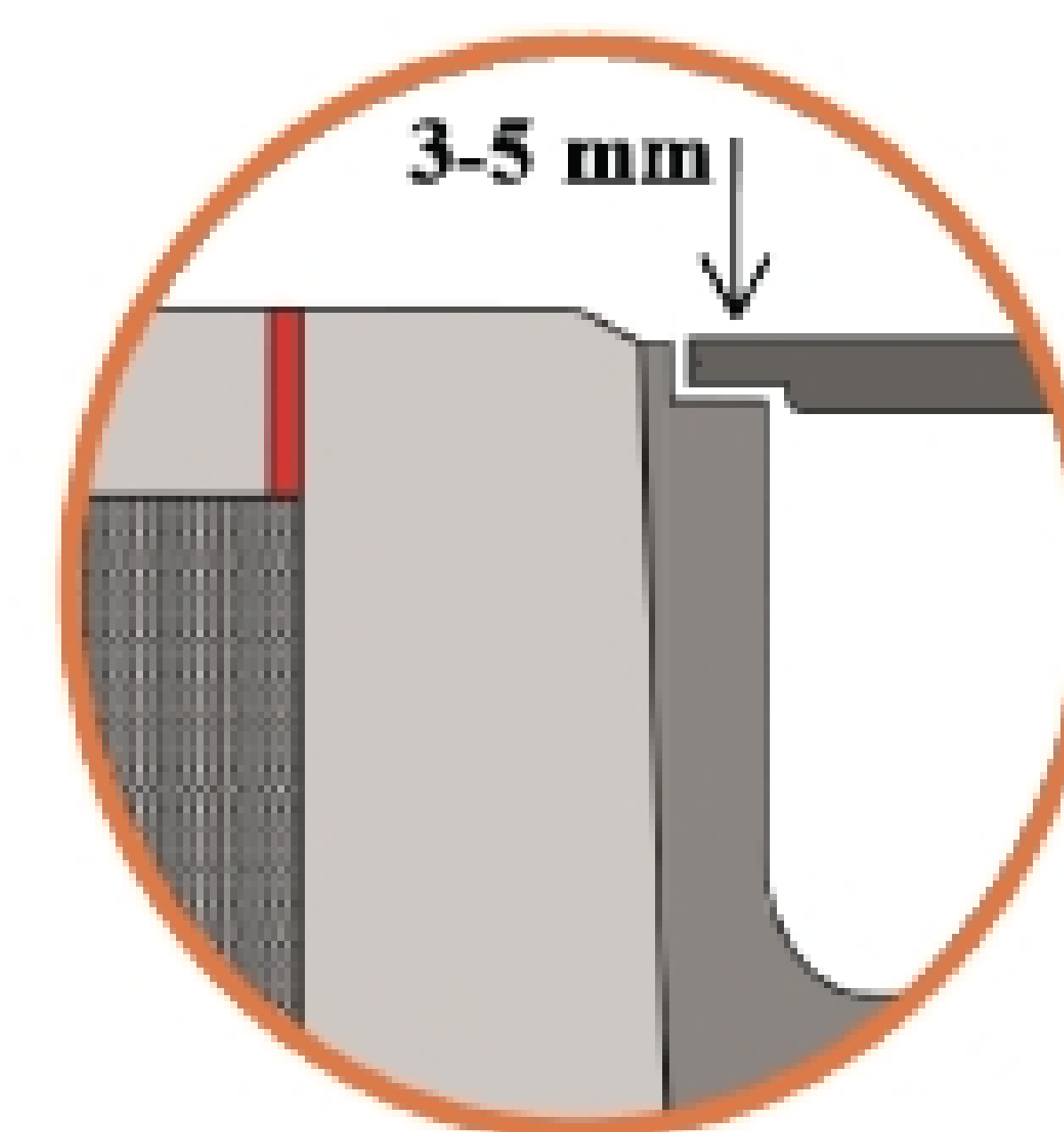
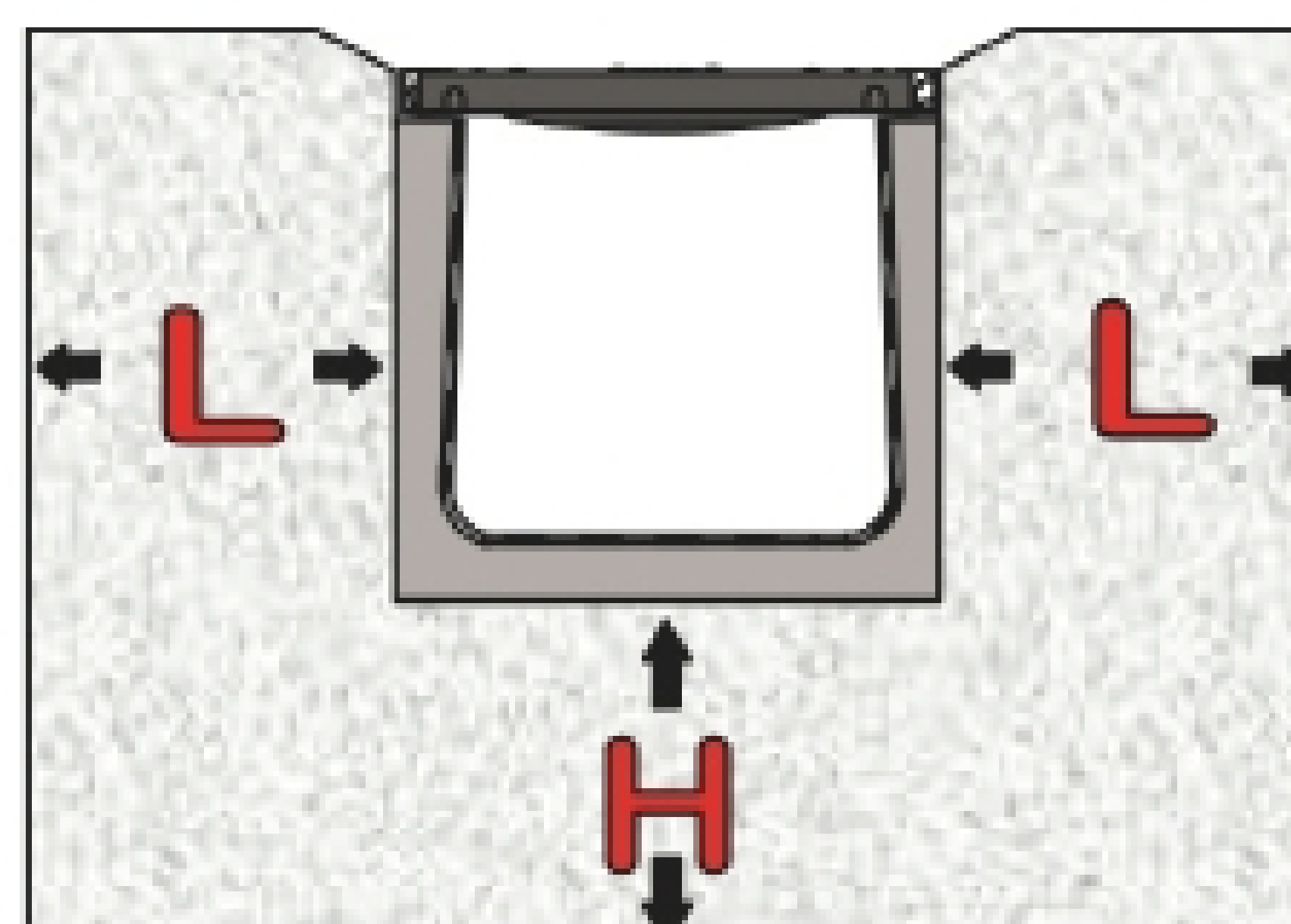


EN 1433:2002
ISO 1002:2014
ISO 10004:2012
ISO 10006:2017
ISO 9001:2015
ISO 14001:2015



Technical Details

- Load class: C250
- Color: black
- Grate length is 0.5 m
- Grate type: plastic (Korpi - slotted)



Installation

See table below

Dimensions							
Load Class		Class A	Class B	Class C	Class D	Class E	Class F
Concrete Bed Size	H	100 mm	100 mm	150 mm	150 mm	200 mm	200 mm
Concrete Lateral Backfill Size	L	100 mm	100 mm	150 mm	150 mm	200 mm	200 mm