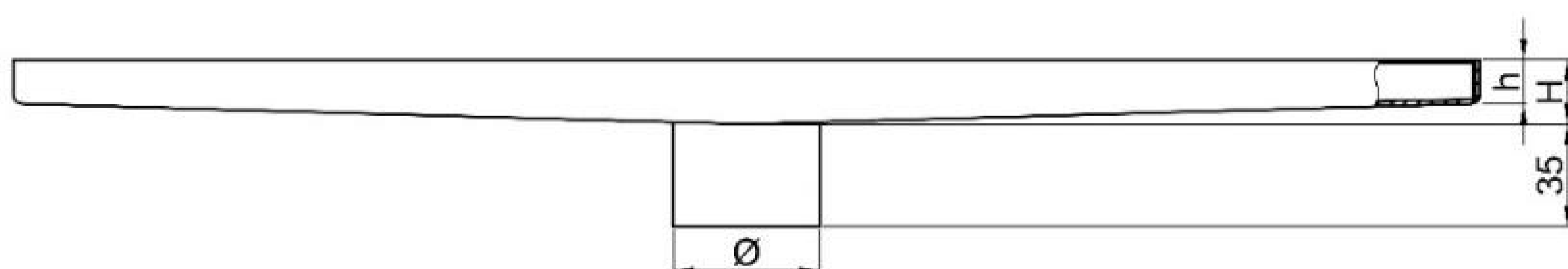


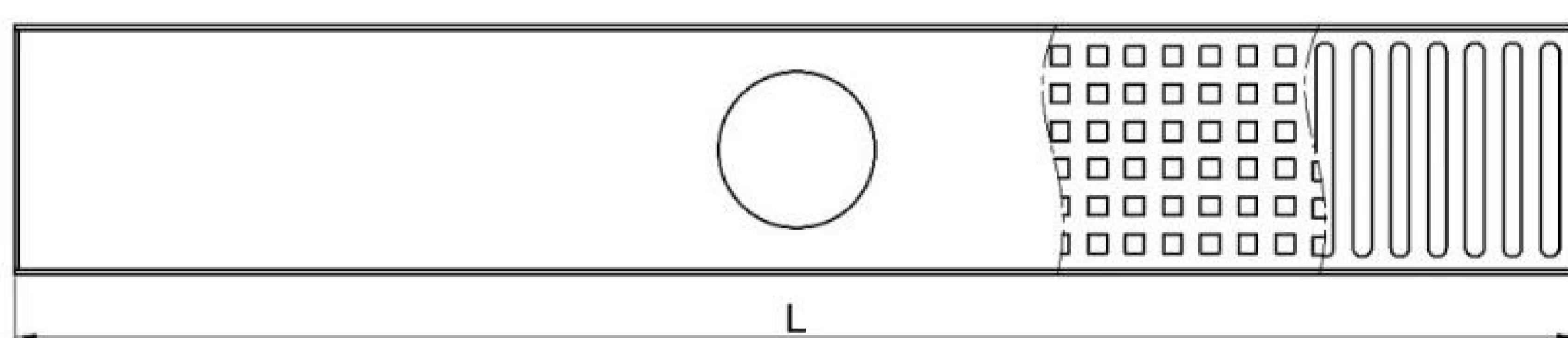


Linear Shower Drain with Grate

Linear shower drain with grate are a type of linear shower drain that have gates such as a stainless-steel cover with a selected design of holes and grooves. This grate, like other components of these linear drains, is made of stainless-steel material and is resistant to chemicals. These grates can be ordered in several designs and in two types of finishes, brushed and matte. Tecnomedex has produced these types of linear drains in different dimensions and sizes, the specifications of which are described in the table below. This company has the ability to manufacture linear shower drains with special dimensions and in accordance with the requests of our customers.



One-way poppet valve prevents insect entry and bad order

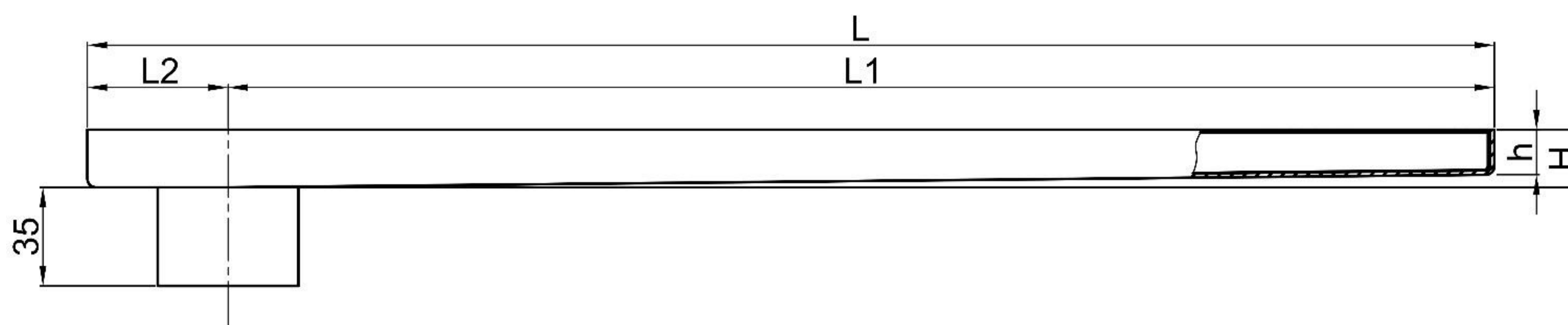


Hook for ease of removing cover



HC1210	HC1110	HC1010	HC910	HC810	HC710	HC610	HC510	HC410	HC310	HC210	Code
120	110	100	90	80	70	60	50	40	30	20	L - length (cm)
8										7	W - width (cm)
15	15	15	15	15	15	15	15	15	15	15	h - edge height (mm)
27	26	25	24	23	22	21	20	19	18	17	H - center height (mm)
51 mm											Ø - outlet thickness
1/5 mm											t - thickness
~ %1											slope
Stainless-Steel 304 L											material

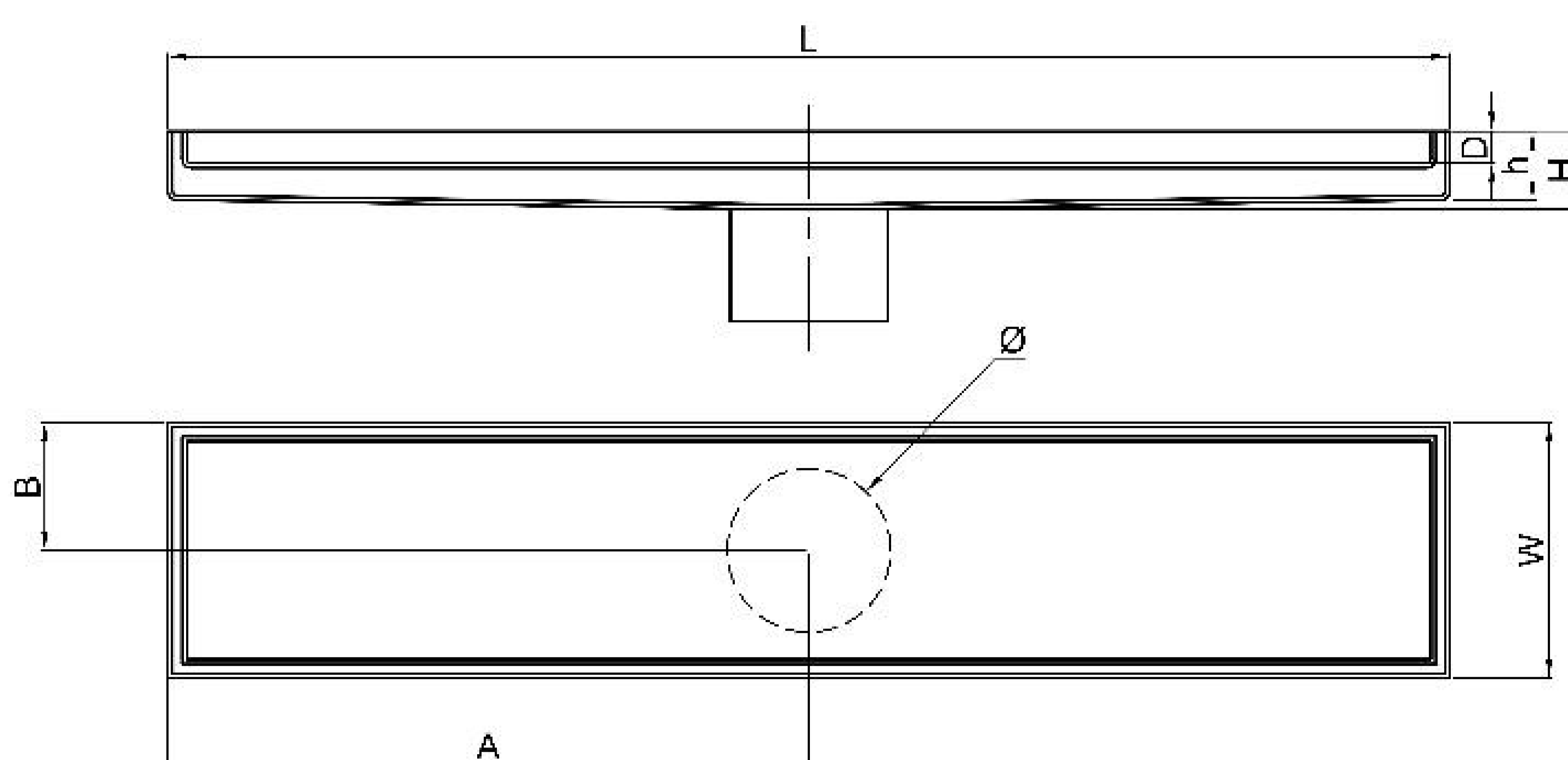
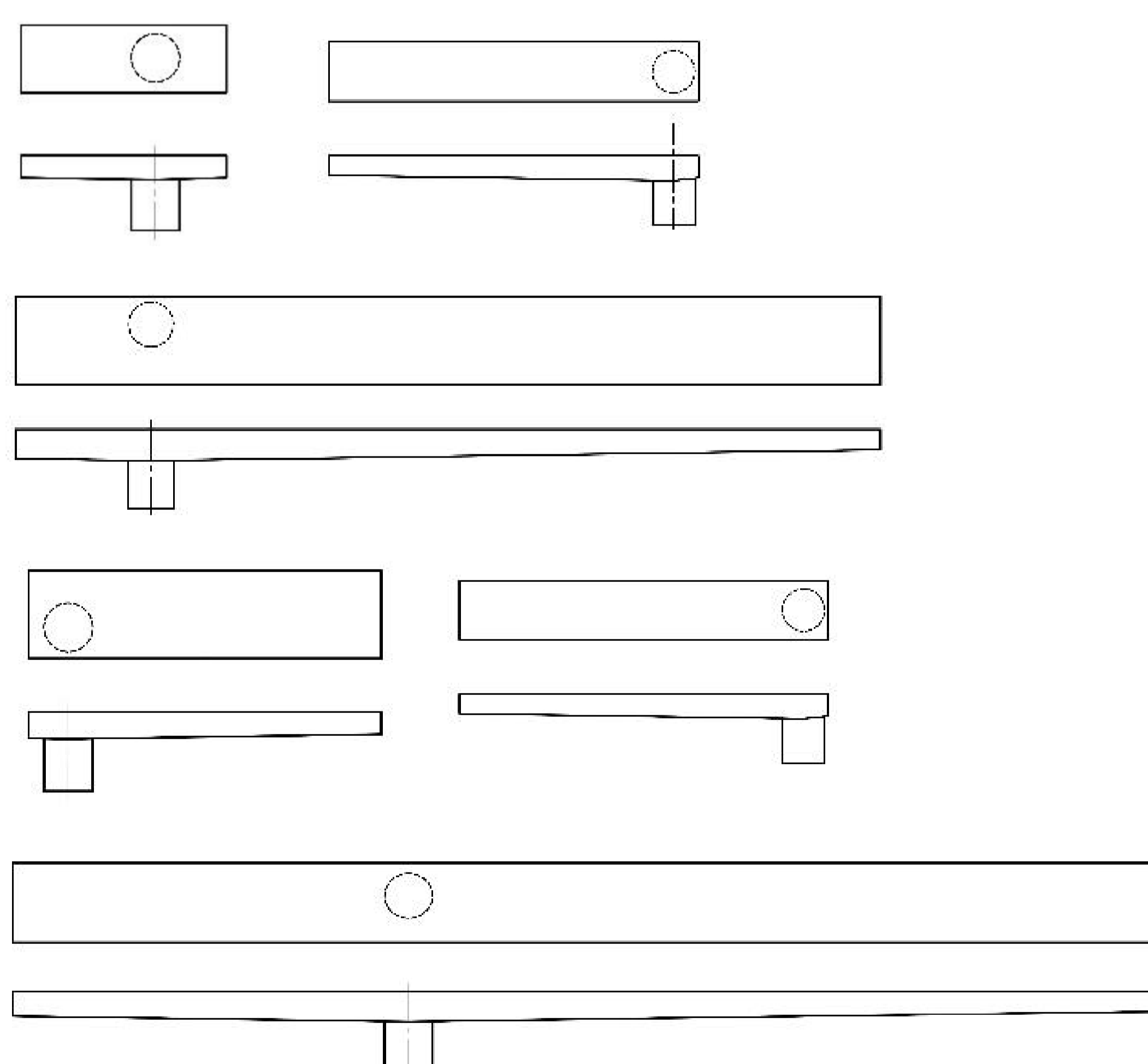
The previous table showed the specification of linear shower drains which have their outlet in the center and the middle of the linear drain. In the table below, the linear shower drains have their outlet on either side of the linear drain.



HC1210	HC1110	HC1010	HC910	HC810	HC710	HC610	HC510	HC410	HC310	HC210	Code
120	110	100	90	80	70	60	50	40	30	20	L - length (cm)
8										7	W - width (cm)
115	105	95	85	75	65	55	45	35	25	15	L1 - long length (cm)
5											L2 - short length (cm)
15	15	15	15	15	15	15	15	15	15	15	h - edge height (mm)
27	26	25	24	23	22	21	20	19	18	15	H - outlet height (mm)
51 mm											Ø - outlet thickness
1/5 mm											t - thickness
~ %1											slope
Stainless-Steel 304 L											material

Custom Order Linear Drains

Customers can order their linear shower drain with regards to their custom dimensions and specifications. The manufacture of custom order parts include alterations to all dimensions such as length, width, outlet location, etc.



B (outlet width)	A (outlet length)	D (cover height)	H (outlet height)	h (initial height)	W (width)	L (length)
the outlet opening to edge cannot be less than 7 mm	the outlet opening to edge cannot be less than 7 mm	from 1 cm	depends on part length and 1% slope	from 1,5 cm (grate) from 2,5 cm (ceramic insert) from 3,5 cm (stone insert)	from 7 cm to 20 cm	from 20 cm to 2,5 m