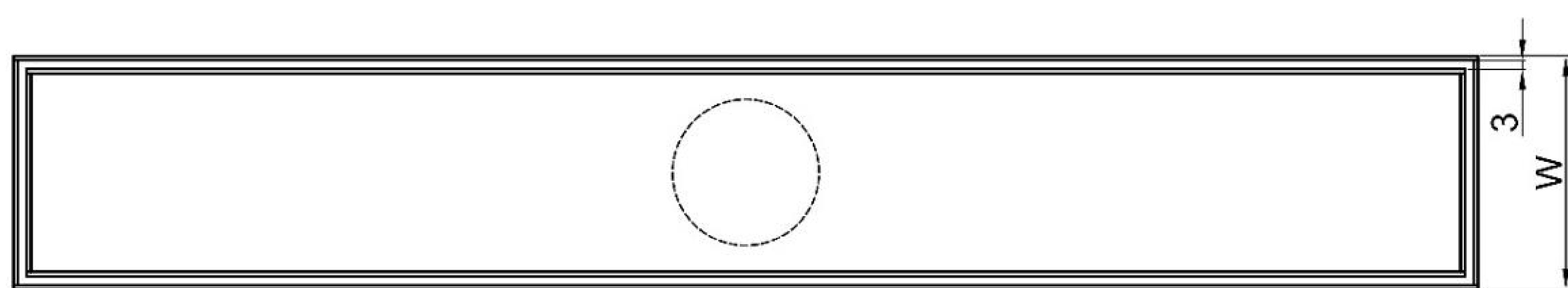
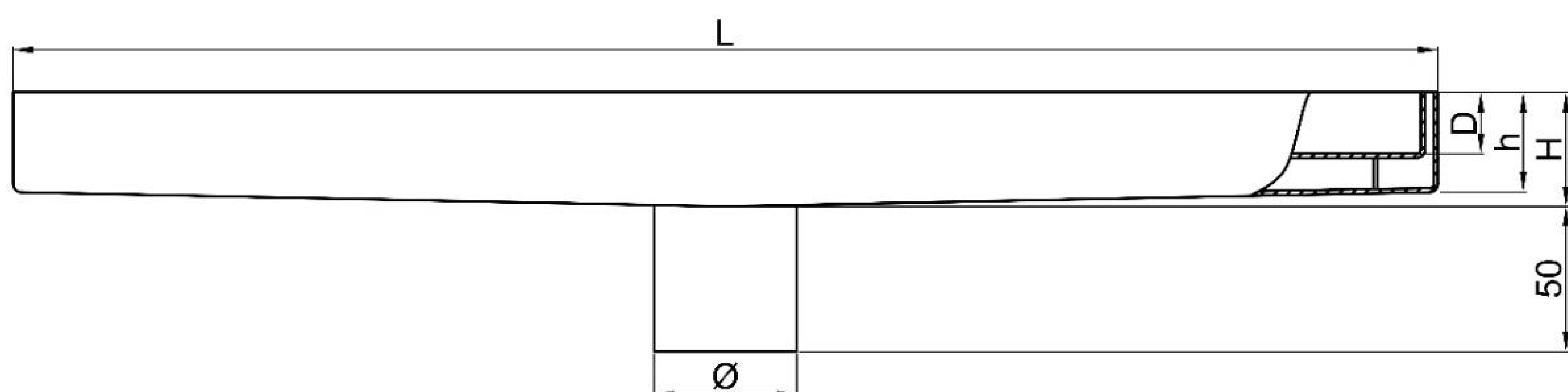


Linear Shower Drain with Stone Insert

Linear shower drain with stone insert is another type of linear shower that instead of a stainless-steel grate, has a stainless-steel case for inserting stone, which makes the drain top surface uniform with the floor and therefore is not recognizable at first glance. These products have been produced according to the type and material of ceramic insert and their difference is due to the different thickness of ceramic and stone. Tecnomedex has manufactured this type of linear drain in different dimensions and sizes, the specifications of which are as follows:



One-way poppet valve prevents insect entry and bad order

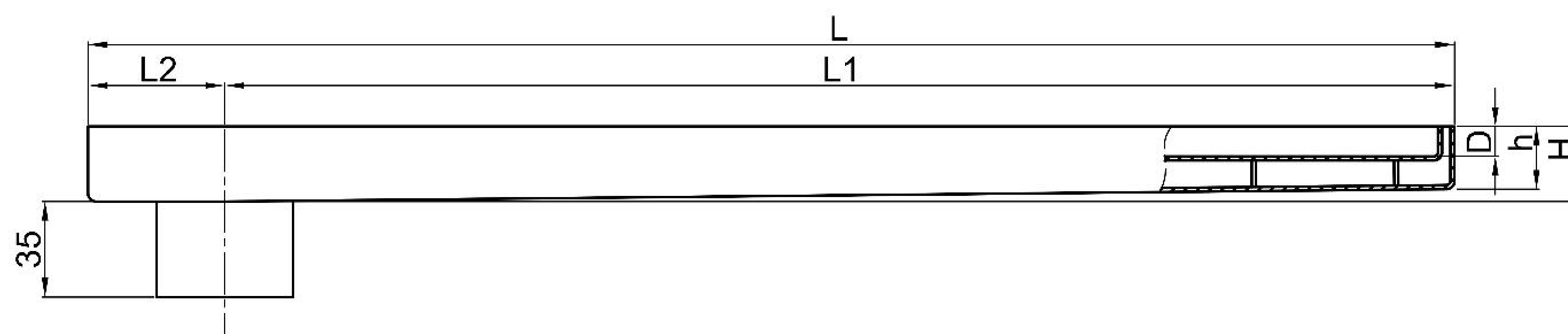


Hook for ease of removing cover



HS1222	HS1122	HS1022	HS922	HS822	HS722	HS622	HS522	HS422	HS322	HS222	Code
120	110	100	90	80	70	60	50	40	30	20	L - length (cm)
8										7	W - width (cm)
35	35	35	35	35	35	35	35	35	35	35	h - edge height (mm)
45	44	43	42	41	40	39	38	37	36	35	H - center height (mm)
22											D - depth (mm)
51 mm											Ø - outlet thickness
1,5 mm											t - thickness
~ %1											slope
Stainless-steel 304 L											material

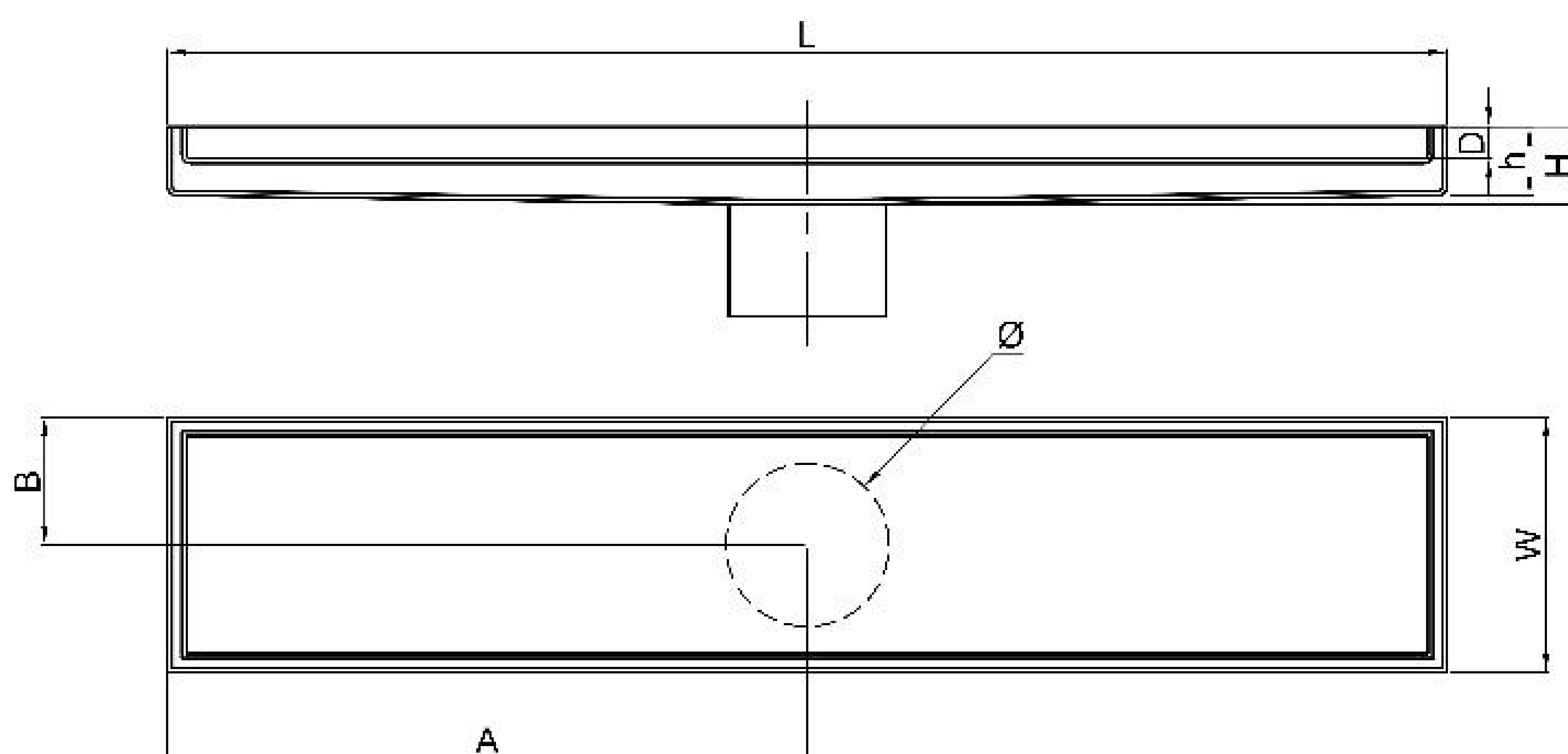
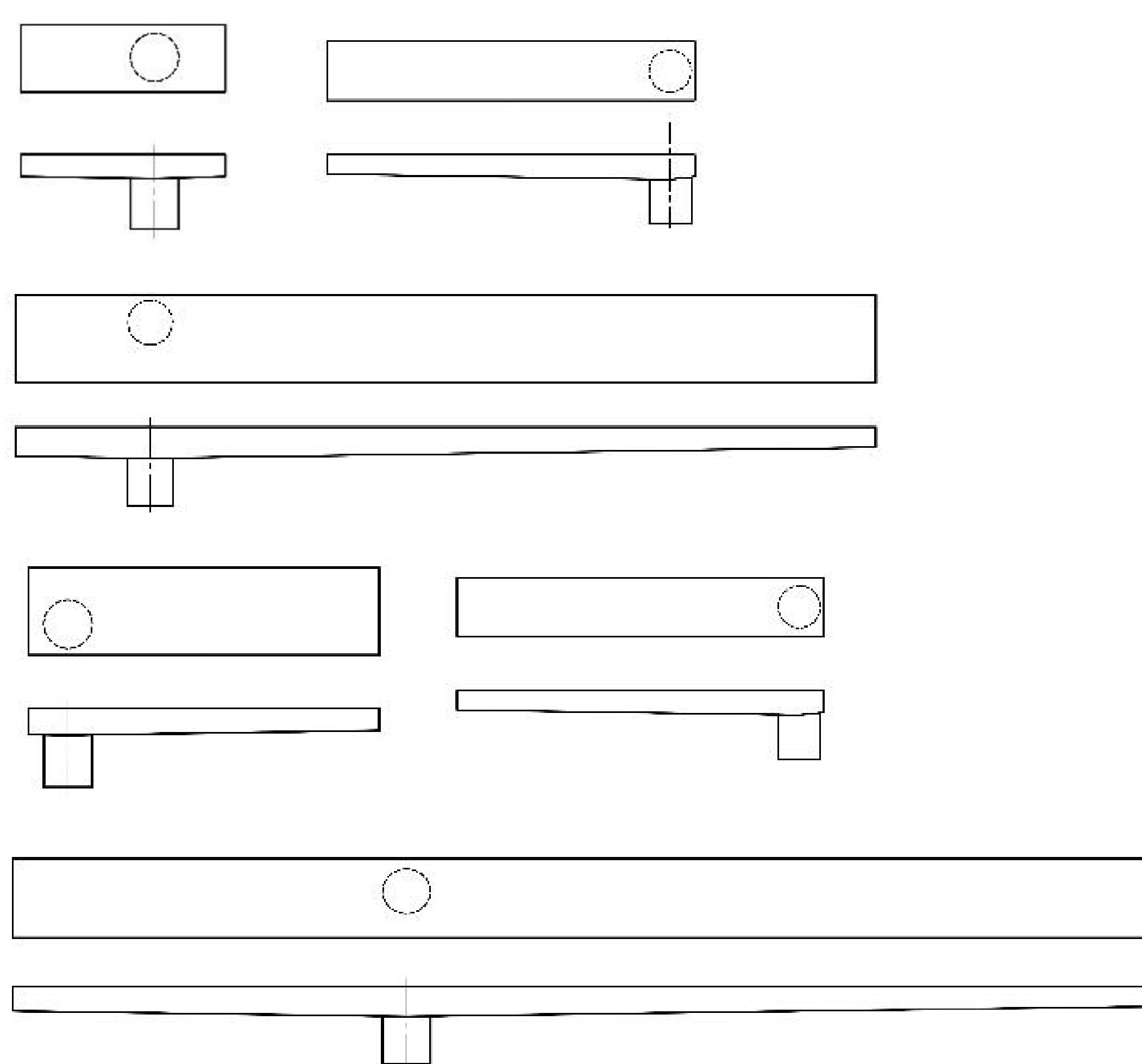
The previous table showed the specification of linear shower drains which have their outlet in the center and the middle of the linear drain. In the table below, the linear shower drains have their outlet on either side of the linear drain.



HS1222	HS1122	HS1022	HS922	HS822	HS722	HS622	HS522	HS422	HS322	HS222	Code
120	110	100	90	80	70	60	50	40	30	20	L - length (cm)
8										7	W - width (cm)
115	105	95	85	75	65	55	45	35	25	15	L1 - long length (cm)
5											L2 - short length (cm)
35	35	35	35	35	35	35	35	35	35	35	h - edge height (mm)
47	46	45	44	43	42	41	40	39	38	35	H - outlet height (mm)
22											D - Depth (mm)
51 mm											Ø - outlet thickness
1,5 mm											t - thickness
~ %1											slope
Stainless-steel 304 L											material

Custom Order Linear Drains

Customers can order their linear shower drain with regards to their custom dimensions and specifications. The manufacture of custom order parts include alterations to all dimensions such as length, width, outlet location, etc.



B (outlet width)	A (outlet length)	D (cover height)	H (outlet height)	h (initial height)	W (width)	L (length)
the outlet opening to edge cannot be less than 7 mm	the outlet opening to edge cannot be less than 7 mm	from 1 cm	depends on part length and 1% slope	from 1,5 cm (grate) from 2,5 cm (ceramic insert) from 3,5 cm (stone insert)	from 7 cm to 20 cm	from 20 cm to 2,5 m